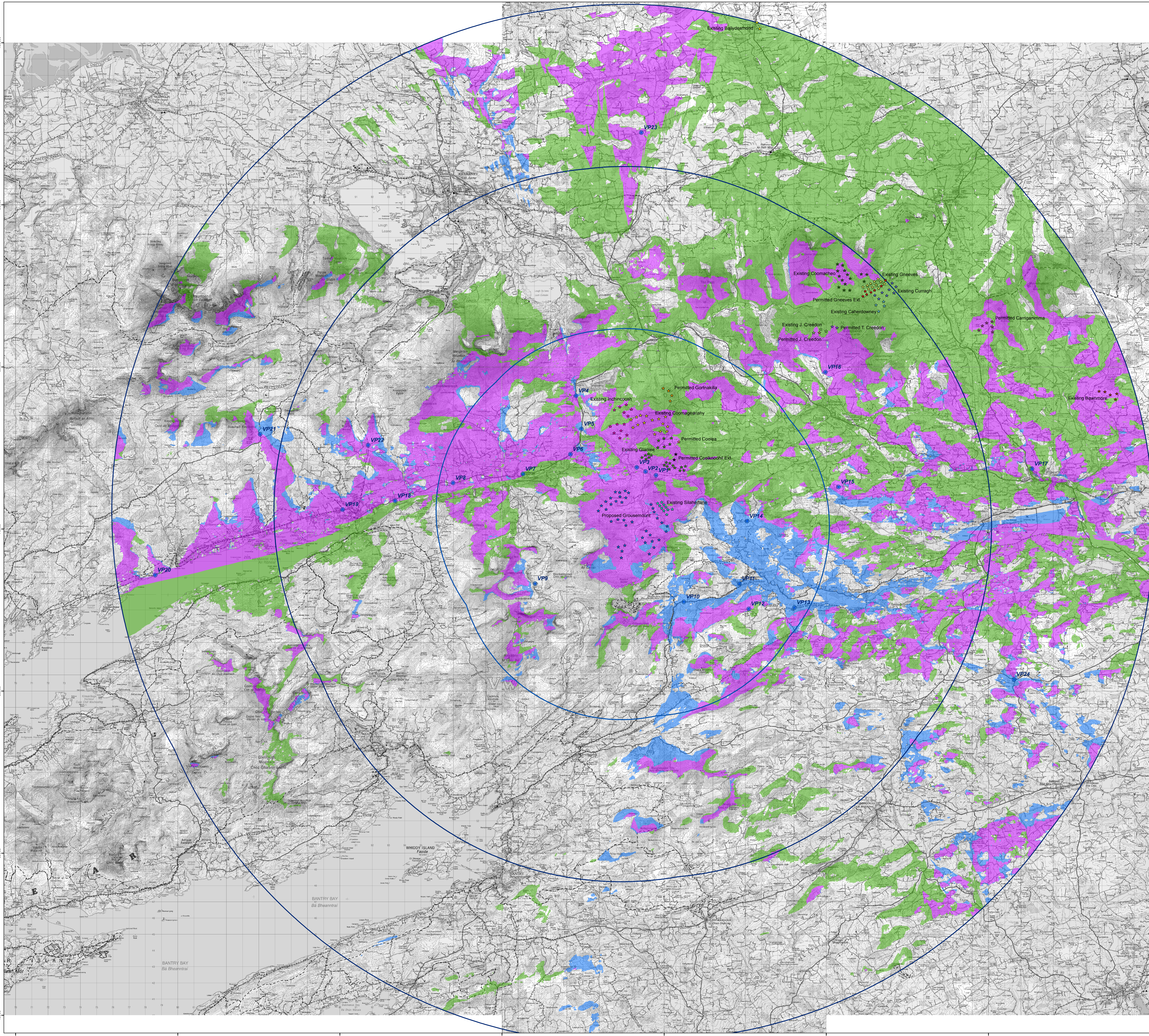


ZTV indicating the potential cumulative visibility of the proposed Grousemount windfarm in combination with all other existing & permitted windfarms within the study area



Proposed Grousemount Turbines



Wind Farm Visibility

% of Study Area

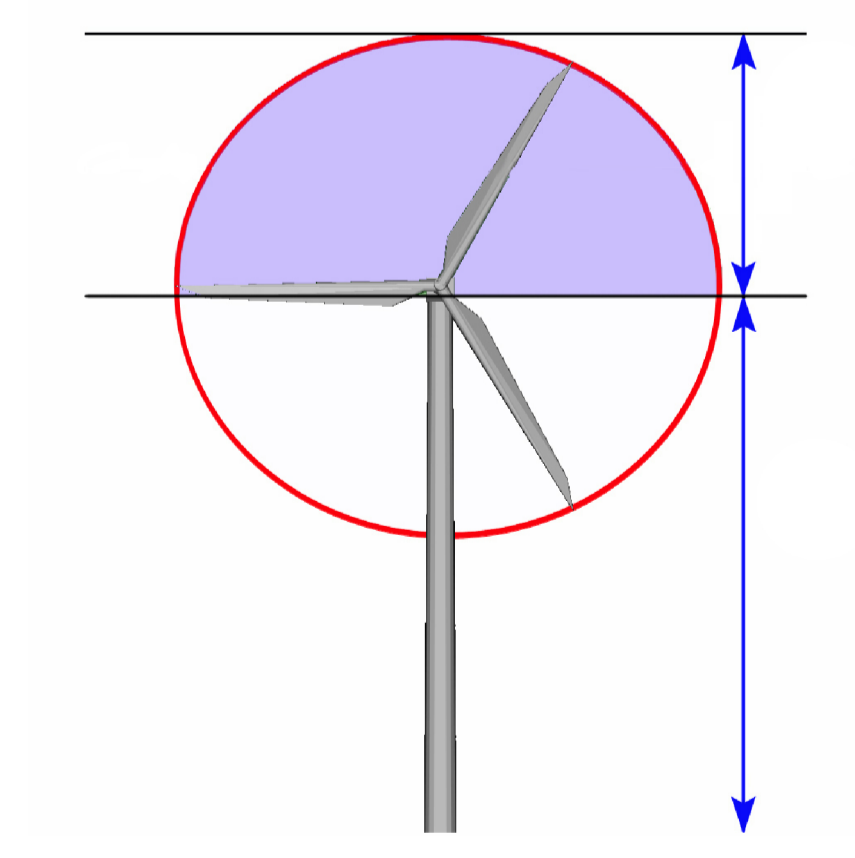
- 23.3%** Areas where only turbines from existing and/or permitted windfarms are visible
- 15.2%** Areas where proposed Grousemount turbines are simultaneously visible with turbines from other existing and/or permitted schemes
- 3.8%** Areas where the view includes Grousemount turbines only

Photomontage Viewpoints



Proposed Grousemount Extents

- 10km Extent
- 20km Extent
- 30km Extent



This ZTV map has been calculated such that a turbine registers as being theoretically visible to observers in the surrounding landscape once there is an unobstructed line of sight to its nacelle.
 Observer Height assumed: 2m to eye-level height
 Nacelle Heights: Variable

Note: This ZTV map is calculated for landform screening only and does not take account of the significant screening effects of vegetation (hedgerows, trees) and buildings inherent across this study area.